



PRODUCTS CATALOG

ELECTRICAL ENCLOSURES & MODULAR CABINETS



20

exmweb.com

PULL BOX EXTENSION RINGS / OPEN BOTTOM PULL BOX

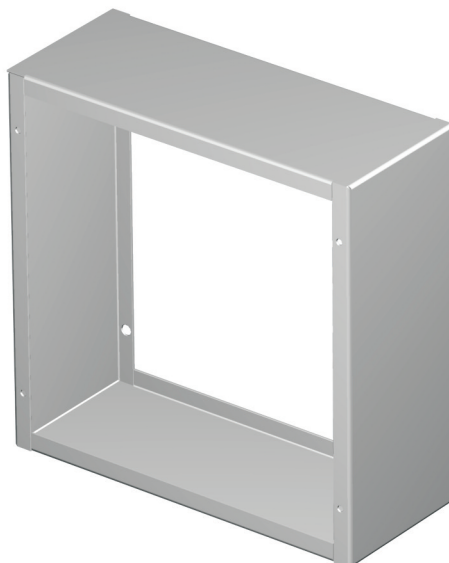
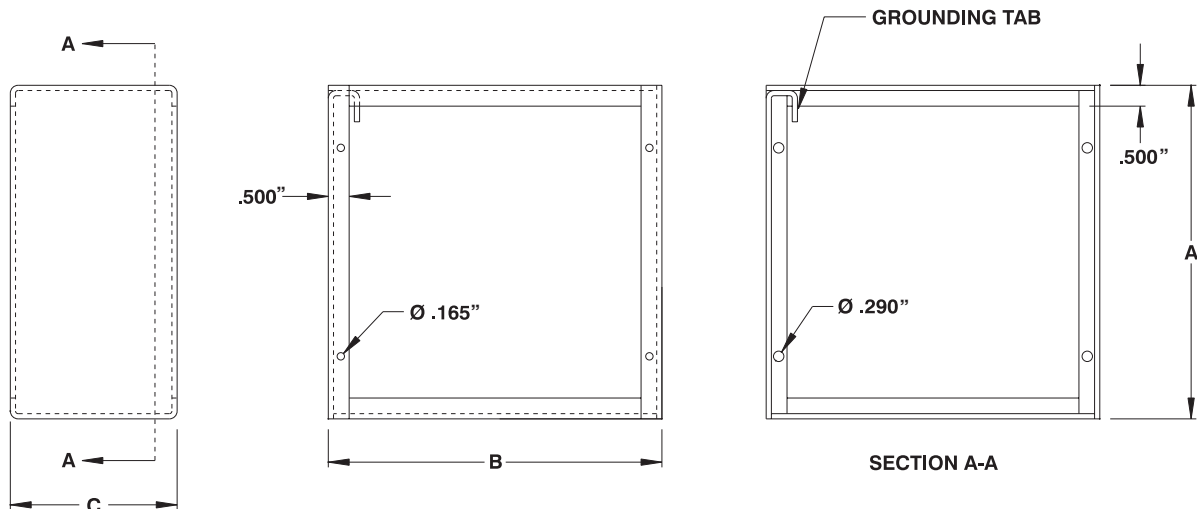
The 1100 DER extension rings are installed over 1100 DF pull boxes to extend the depth of the enclosure. Stand-alone 1100 DER extension rings can also be used for applications which require a pull box with an open bottom. The extension rings are made of high quality 16 GA steel. Four internal mounting holes are

provided. Covers are not included with the 1100 DER. When they are used as extension rings, the covers from the 1100 DF boxes can be installed on the 1100 DER. When they are used as stand-alone, open bottom pull boxes, covers must be ordered separately. (see table)

Enclosures are finished with ANSI/ASA 61 smooth gray heat fused powder paint, electrostatically applied on a pretreated base (other colors available).

NEMA/EEMAC 1 / IP30

Refer to p.734 to validate choice of substrate for the application



CATALOG NUMBER	DIMENSIONS			COVER NUMBER †	SHIP WGT LBS.
	A	B	C		
1100 DER060602	6	6	2	1100 DF0606C	2
1100 DER080802	8	8	2	1100 DF0808C	4
1100 DER101002	10	10	2	1100 DF1010C	5
1100 DER121202	12	12	2	1100 DF1212C	6
1100 DER161602	16	16	2	1100 DF1616C	9
1100 DER181802	18	18	2	1100 DF1818C	11
1100 DER060604	6	6	4	1100 DF0606C	4
1100 DER080804	8	8	4	1100 DF0808C	5
1100 DER101004	10	10	4	1100 DF1010C	7
1100 DER121204	12	12	4	1100 DF1212C	8
1100 DER161604	16	16	4	1100 DF1616C	12
1100 DER181804	18	18	4	1100 DF1818C	14
1100 DER060606	6	6	6	1100 DF0606C	5
1100 DER080806	8	8	6	1100 DF0808C	7
1100 DER101006	10	10	6	1100 DF1010C	9
1100 DER121206	12	12	6	1100 DF1212C	11
1100 DER161606	16	16	6	1100 DF1616C	15
1100 DER181806	18	18	6	1100 DF1818C	18

† If required, covers must be ordered separately.

* Enclosures are also available with knockout; add suffix 'KO' to the catalog number. (ie: 1100 DER080806KO)

